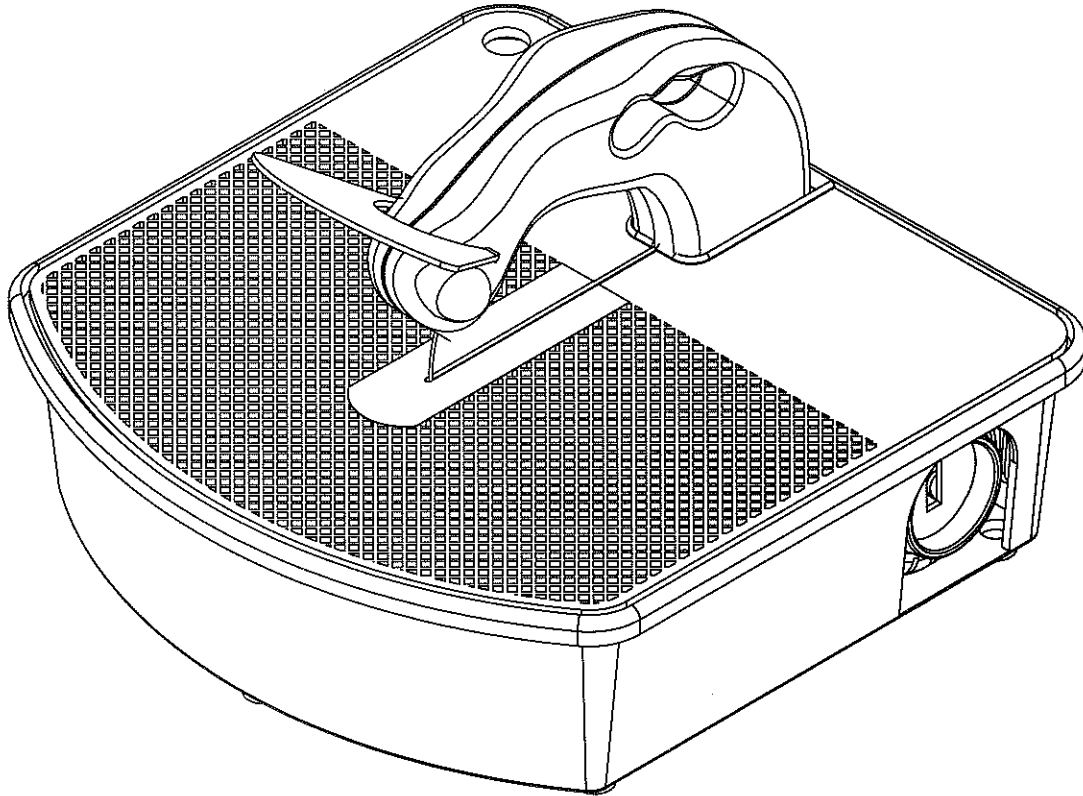


Gryphon *Zephyr* Ring Saw

Instructions



Safety Considerations

- Always wear eye protection and use the snap-on face shield that is supplied with your saw •
 - Do not run blade dry- use plenty of water, but do not over-fill •
 - Keep fingers and clothing clear of moving parts •
 - Do not operate with side cover removed •
- When removing work surface, wipe water from surface first so that it cannot spill into the motor compartment •

Warranty:

Your new Gryphon Zephyr Ring Saw is warranted for three years from date of purchase. All mechanical parts with the exception of the blade, drive belt, drive wheels and wheel bearings are guaranteed against failure for three years. If such a failure occurs for any reason other than abuse or misuse during this period, it will be repaired (or at our option replaced) free of charge FOB our factory. Retain your sales receipt for proof of purchase. Should repairs ever be required, return the saw to:
Gryphon Corporation • 12417 Foothill Blvd. • Sylmar • California • 91342 • (818) 890-7770

For latest videos and helpful hints, please visit www.gryphoncorp.com/ZephyrFAQ.html

Identification of parts.

Refer to Figure 1 for the names and functions of the parts.

Please Note that the screws that hold the pulleys in place turn opposite to convention. That is, you turn them clockwise to loosen, counter-clockwise to tighten.

Guide Pulleys - The Guide Pulleys are responsible for keeping the blade contained and traveling smoothly. When these pulleys wear, the blade will become sloppy and possibly fall out of contact with the belt.

Idler Pulleys - The Idler Pulleys keep the belt contained. When these wear, they will become noisy. These pulleys have a cap over the center to help keep glass dust from entering the bearing. It is important to replace this cap when installing new pulleys. The lowest Idler Pulley is spring loaded to provide a constant tension on the belt.

Drive Pulley - The Drive Pulley has teeth that engage the belt, and causes the belt to rotate. The drive pulley is held to the motor shaft by means of a set screw.

Belt - The Belt drives the blade. When the belt wears, the blade will not be held tightly, and may come off.

Hand Grip - The cut-out in the housing is provided for convenience when using the saw in the hand operated mode.

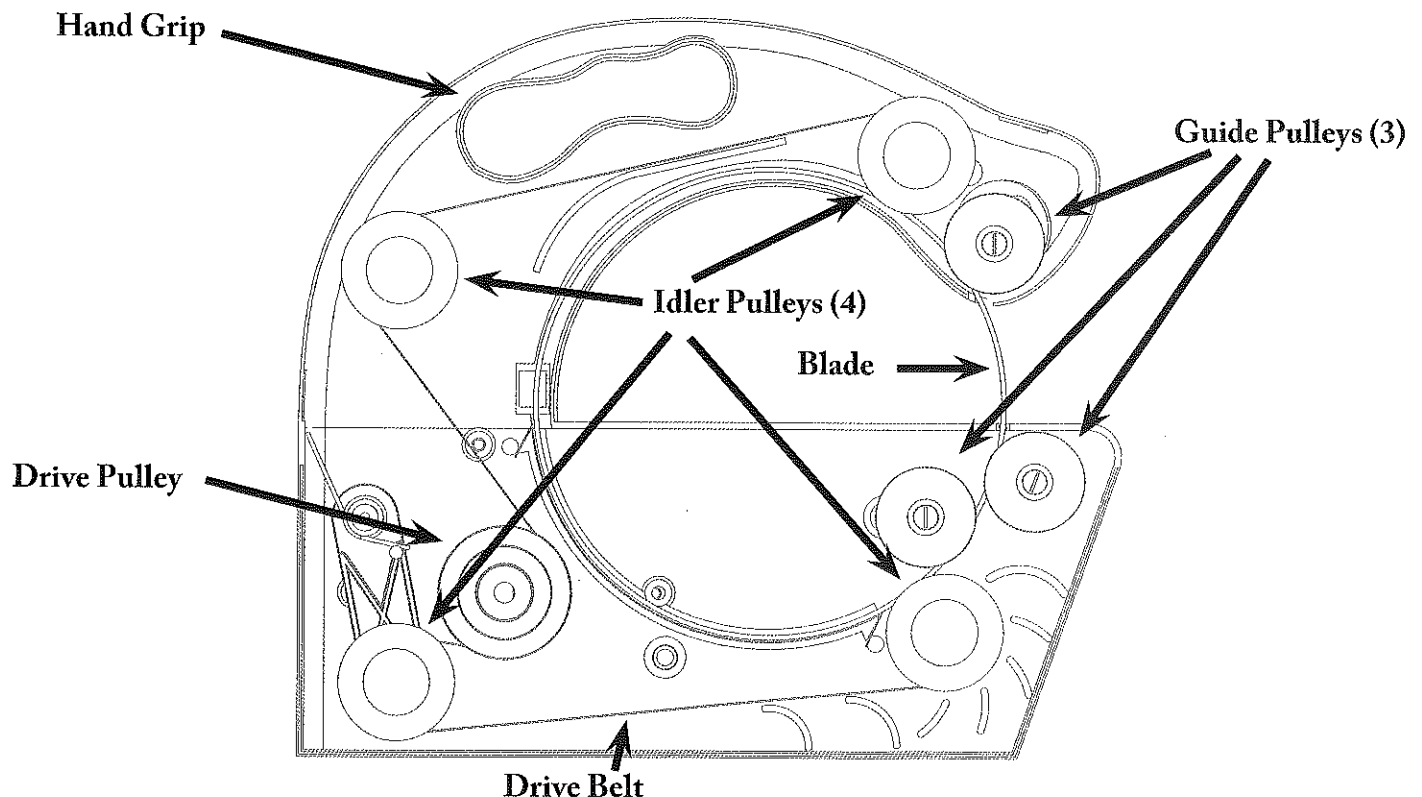
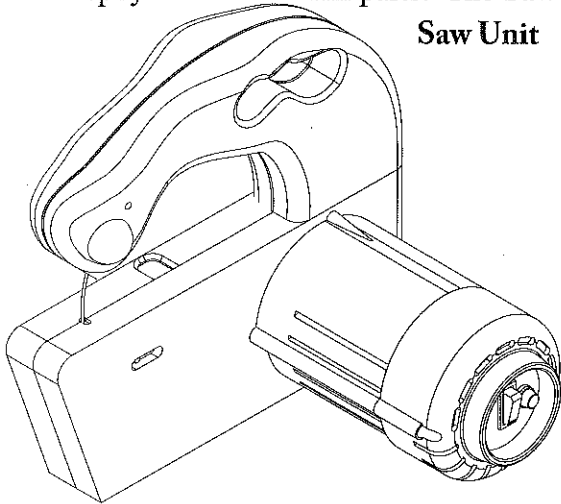


Figure 1 - Inside of Saw Unit with both covers removed.

Using the Zephyr

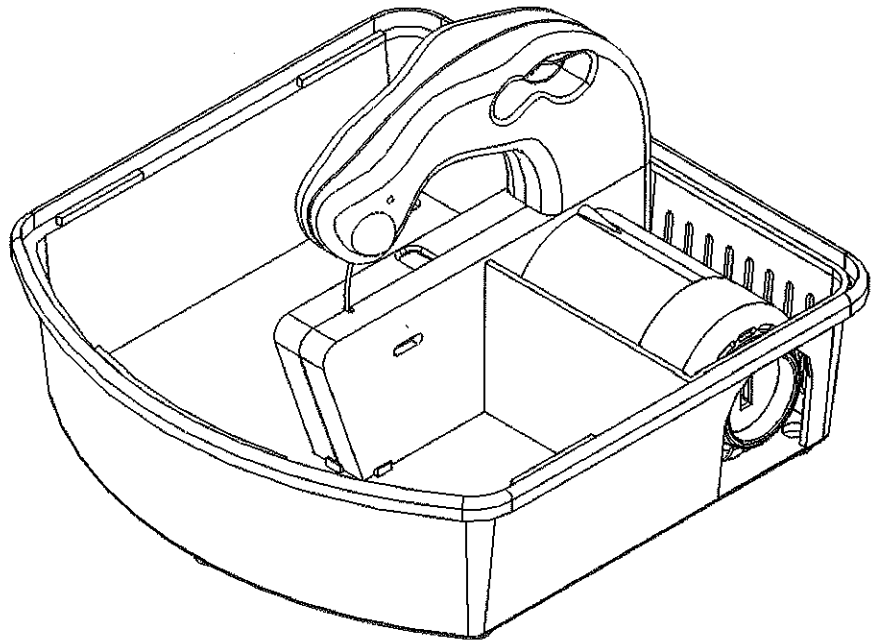
Use as a table saw.

The Zephyr has three main parts: The Saw Unit, The Base, and the Work Surface.



Saw Unit

**Saw Unit
installed in Base**



The Saw is normally used installed in the base, as shown on the first page. To use the saw, insert the Saw Unit into the Base as shown. The Saw Unit will fit into recesses in the Base, and will feel securely held when properly positioned. The power cord (not shown) should exit through the large opening in the side of the base. Snap the clear face shield in place on the front of the saw as shown on the first page. NEVER run the saw in the table mode with the Water Plug installed (see Figure IV).

Fill the base with tap water until the level reaches the mark provided on the side of the Saw Unit. Place the Work Surface on the Base, plug in the saw, and you are ready to cut.

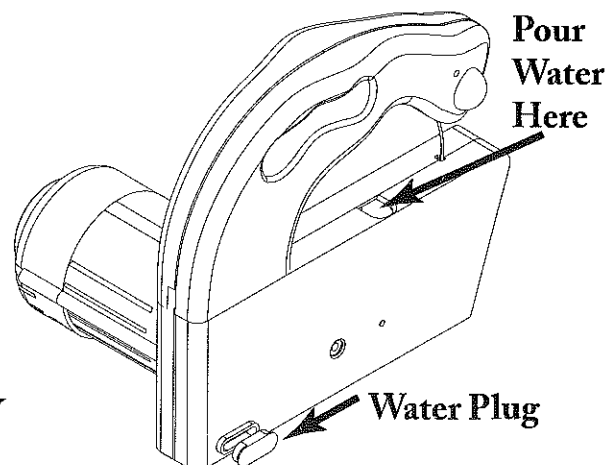
The saw has a round blade which means that all parts of the blade surface cut equally well. You can cut very intricate shapes by simply pushing the glass in the direction that you want to cut. A few minutes of experimentation will give a good feel for the versatility of this saw.

Because the diamonds gradually wear as you cut, you can get the maximum life out of your blade by using the omnidirectional cutting ability to spread the wear around the surface of the blade. When you notice that the cutting is becoming slower and that you have to push noticeably harder in order to cut, you should consider installing a new blade.

Use as a hand-held saw.

If you wish to use the Zephyr as a hand-held saw, remove the Saw Unit from the base by lifting it up and out.

Figure IV



Install the small white Water Plug over the water hole as shown in Figure IV. Pour water into the small opening in the Saw Unit as shown in Figure IV. This will fill the small reservoir that allows the blade to remain wet while cutting. There is a hole in the bottom of the reservoir that will drip a measured amount of water onto the blade. The reservoir will hold enough water for several minutes of use, but be sure to check the water level frequently to insure that the blade is still being cooled. The blade can be damaged if run dry. REMOVE THE WATER PLUG before returning the Saw Unit to the Base.

Changing the Blade

Blade and/or Drive Belt Installation

To install a new blade, you must first remove the old blade and the drive belt. To do this, first remove the Saw Unit from the Base, pull off the clear face shield and take off the upper and lower covers. The covers are held by one screw each.

To Replace Blade (or Belt)

- Loosen Guide Pulley 1 and 3 by turning the screws CLOCKWISE.
- Move pulleys away and remove old blade
- Remove entire Drive Belt from saw
- Wrap the belt completely around the new blade and pinch the blade between your thumb and forefinger as you insert the blade into the saw
- Keeping the blade in place, wrap the belt around Idler Pulleys A and B. Continue to wrap the belt around pulley C and finish by inserting the belt around Drive Pulley 4 and lastly around spring-loaded Pulley D.
- To insure that blade is properly installed, manually turn Drive Pulley 4.
- Move Guide Pulleys 1 and 3 against the blade and retighten by turning the screws COUNTERCLOCKWISE. Again check for proper operation by turning Drive Pulley 4. If any problems are encountered, recheck the installation. Videos of the blade installation procedure can be viewed on our web site (see address below).

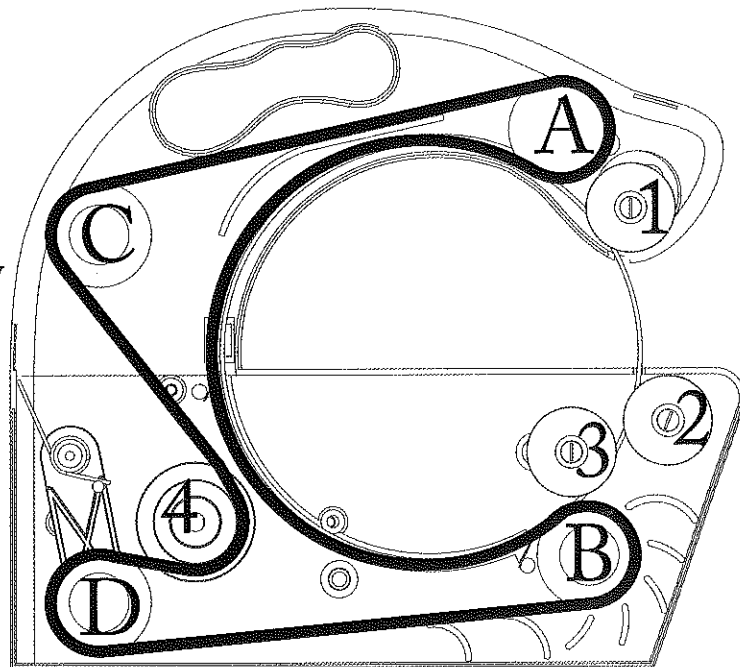


Figure V - Routing of Belt

If you intend to do a lot of continuous cutting, it is advisable to add a few ice cubes to the base of the saw to keep the water cool. After extended use or if the saw is not to be used for a while, it is very advisable to clean out the saw unit and the base. Glass dust will accumulate in these areas and is very abrasive, and can damage rotating parts. The base can be hosed out for cleaning, and the saw unit can be swished in clean water to remove any debris. Be careful to keep water away from the motor.

For helpful suggestions regarding pattern making, cutting and general use of your saw, please visit our Zephyr Help Page at www.gryphoncorp.com/ZephyrFAQ.html